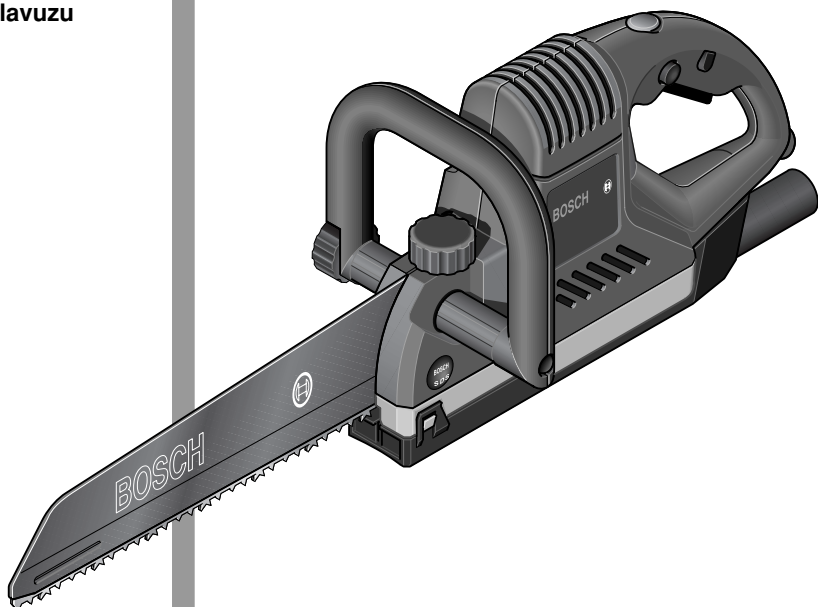


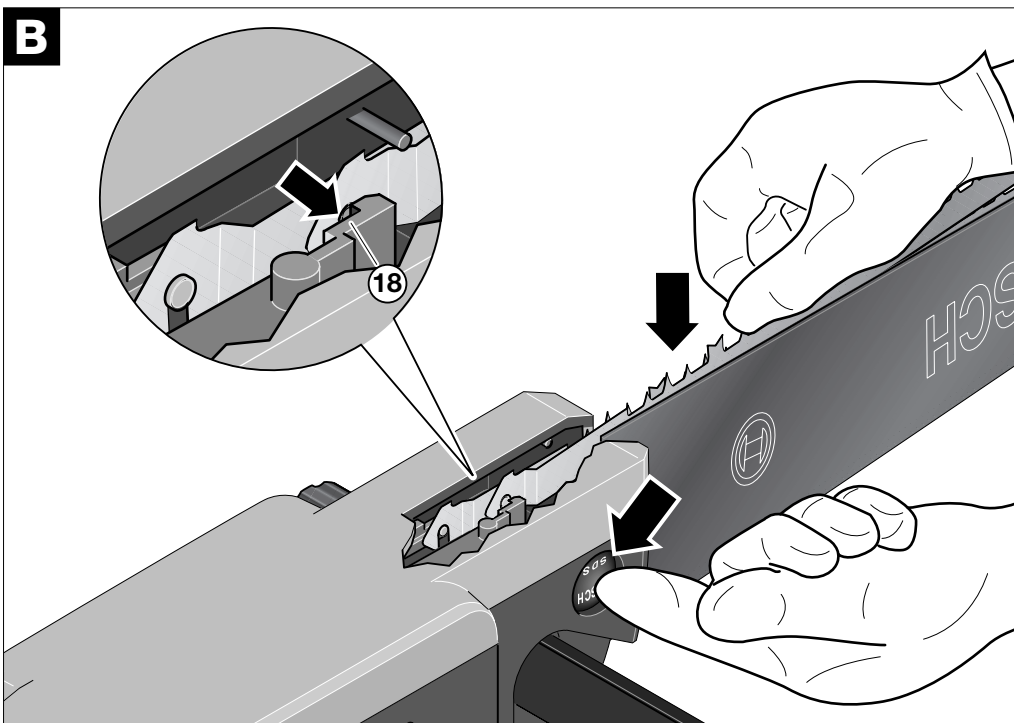
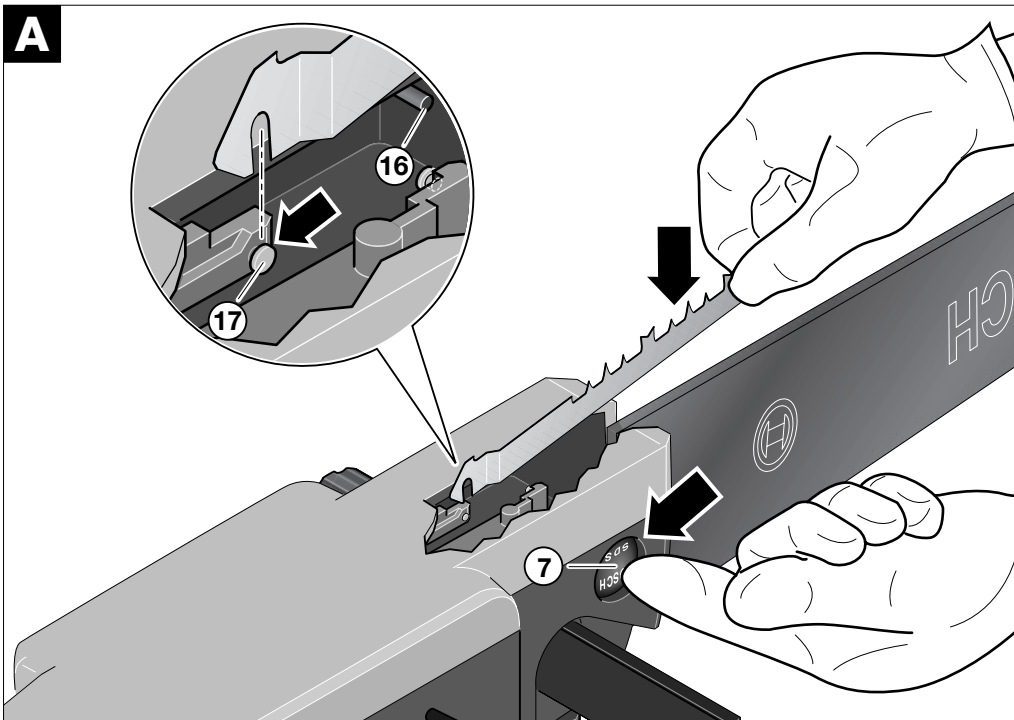
BOSCH

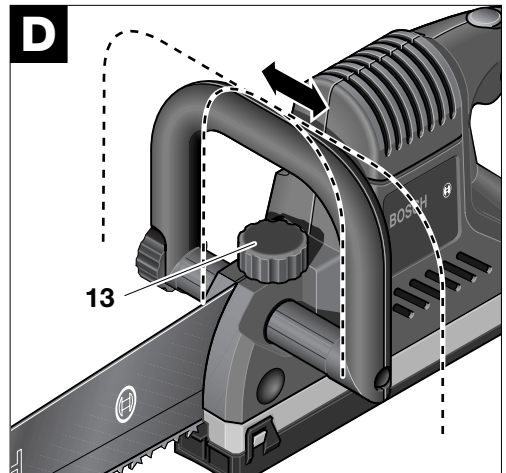
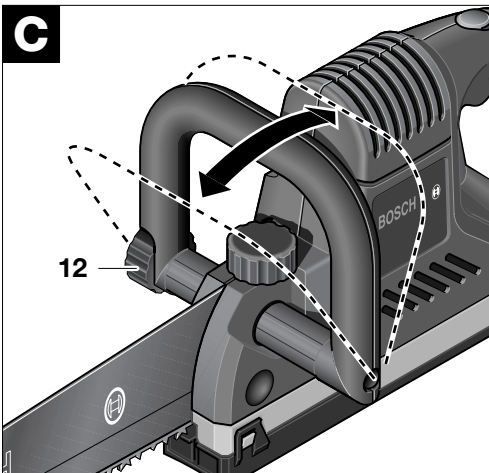
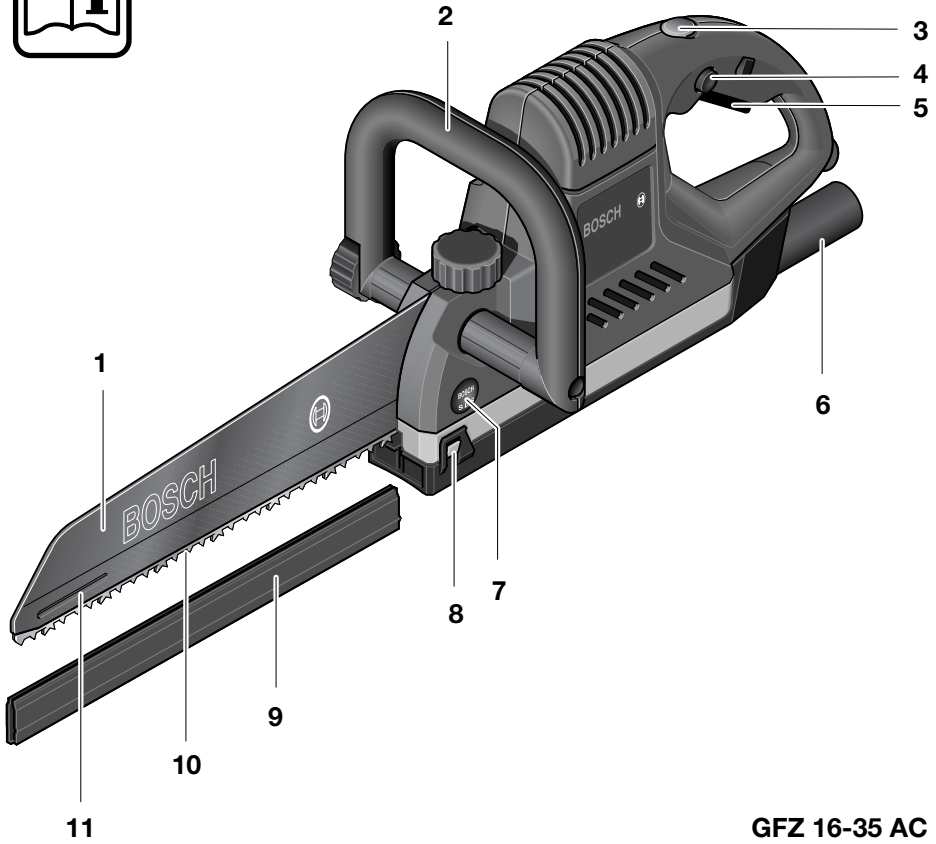
GFZ 14-35 A GFZ 16-35 AC



Deutsch
English
Français
Español
Português
Italiano
Nederlands
Dansk
Svenska
Norsk
Suomi
Ελληνικά
Türkçe







Product Specifications

Power Hand Saw	GFZ 14-35 A	GFZ 16-35 AC
Order number	0 601 637 0..	0 601 637 7..
Rated power consumption	[W] 1400	1600
Stroke rate	[RPM] 2600	850 ... 2600
Stroke	[mm] 50	50
Blade length	[mm] 350	350
Weight (without accessories) approx.	[kg] 5.2	5.2
Protection class	▣ / II	▣ / II

GFZ 14-35 A:

Switch-on actions cause brief drops in the mains voltage. For unfavourable mains conditions, interference with other equipment can occur.

For mains impedance of less than 0.36 Ω, no interference can be expected.

Noise/Vibration Information

Measured values determined according to EN 50 144.

The A-weighted noise levels of the tool are typically:

Sound pressure level: 91 dB(A)

Sound power level: 104 dB(A)

Wear ear protection!

The typical weighted acceleration is 4,0 m/s².

Intended Use

The machine is intended for the free-hand sawing of wood, plastic and light building materials. It is suitable for straight and plunge cuts. The saw blade recommendations are to be observed.

Accessories

Saw blade set for wood 2 608 632 120

Saw blade set for light building

material, hard metal inserts 2 608 632 123

Product Elements

- 1 Sword
- 2 Loop handle
- 3 Stroke rate regulator (GFZ 16-35 AC)
- 4 Switch-on lock
- 5 On-off switch
- 6 Channel for dust extraction
- 7 SDS release button
- 8 Catch for the dust extractor
- 9 Saw blade protector
- 10 Saw blades
- 11 Saw blade guide
- 12 Knurled nut for adjusting the inclination of the loop handle
- 13 Knurled screw for the sideways sliding of the loop handle

Not all the accessories illustrated or described are included in standard delivery.

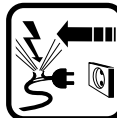
For Your Safety



Working safely with this machine is possible only when the operating and safety information are read completely and the instructions contained therein are strictly followed.

In addition, the general safety instructions in the enclosed booklet must be followed.

Before using for the first time, ask for a practical demonstration.



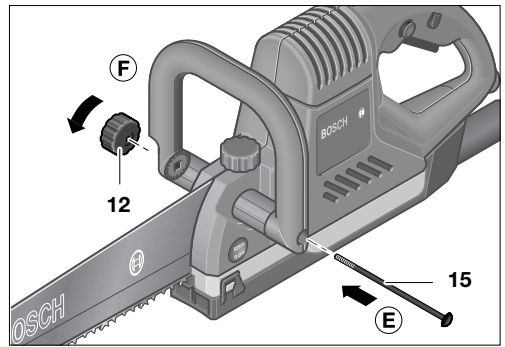
If the cable is damaged or cut through while working, do not touch the cable but immediately pull the mains plug. Never use the machine with a damaged cable.



Wear ear protection to prevent damage to your hearing.

Wear safety glasses, protective gloves and sturdy shoes.

- Connect machines that are used outdoors by means of a fault current protection switch (FI) with a maximum triggering current of 30 mA. Use only an extension cable that is approved for outdoor use.
- Always direct the cable to the rear away from the machine.
- Working with material containing asbestos is not permitted.
- Always switch off the machine and allow to come to a stop before putting down.
- Put on the saw blade protector when laying down the saw.
- Keep children away from the machine.
- Never allow children to use the machine.
- Bosch is able to ensure perfect functioning of the machine only if the original accessories intended for it are used.



Insert the bolt **15** (E) and tighten with the knurled nut **12** (F).

Adjusting the Loop Handle

Loosen the knurled nut **12** and adjust the loop to the desired inclination. (Fig. **C**)

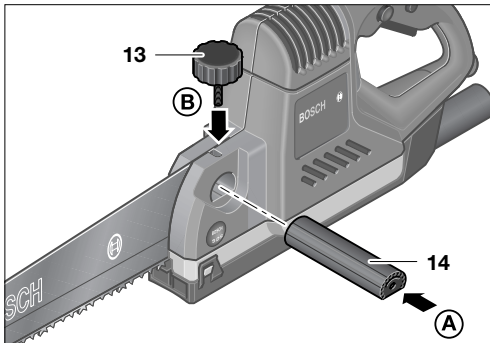
For sawing near the edge, slide the loop handle to the side by loosening the knurled screw **13**. (Fig. **D**)

Retighten the knurled screw or nut.

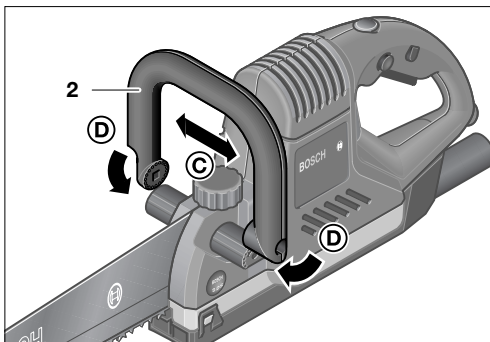
For the inserting of the saw blades, see Section *Changing Saw Blades*.

Before Use

Mounting the Loop Handle

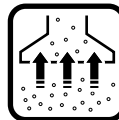


Slide the spacer tube **14** into the housing (A) and tighten with the knurled screw **13** (B).



Spread the loop handle **2** somewhat (C) and place over both ends of the spacer tube (D).

Dust/Chip Vacuuming



The dust/chip vacuuming prevent large amounts of material from collecting and high concentrations of dust in the breathing air as well as facilitates the disposal of the dust.

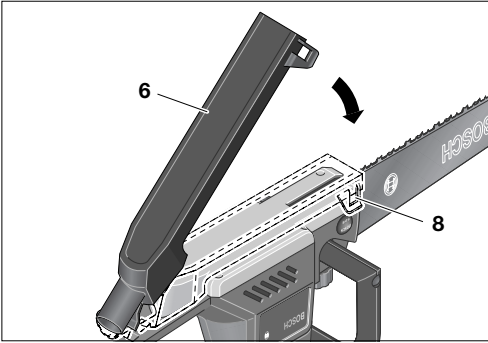


Dust produced while working can be detrimental to health, inflammable or explosive. Suitable protection measures are required.

Examples: Some dusts are considered to be carcinogenic. Use suitable dust/chip extraction and wear a dust protection mask

For long periods of working with wood or for commercial use on materials that produce dust that is detrimental to health, the machine is to be connected to a suitable **external dust extraction device** (for example, directly to the socket of a suitable Bosch general purpose vacuum cleaner with remote starting device that starts automatically when the machine is switched on).

Connecting the Dust Extractor



Hook on the channel for dust extraction **6** at the rear under the handle and latch onto the catches **8**. Insert the vacuum hose (35 mm dia.) directly into the coupling of the channel.

Putting into Operation

Always use the correct supply voltage!

The voltage of the power source must agree with the value given on the nameplate of the machine. Machines designated for 230 V can also be operated with 220 V.

When switching on, the saw blades must not be resting against, come in contact with or strike anything!

Switching On/Off

Switching on:

Press the switch-on lock **4** to the left or right and hold, then press the on-off switch **5**.

Switching off:

Release the on-off switch **5**.

Lay the machine down only after the saw blades have come to a standstill.

After switching off, do not brake the saw blade to a stop by applying side pressure.

Regulating the Stroke Rate (GFZ 16-35 AC)

The stroke rate can be continuously adjusted with the stroke rate regulator **3**.

Setting 1:

Lowest stroke rate

Setting 6:

Highest stroke rate

The Constant Electronics maintain the selected stroke rate between no-load and load nearly constant. In this manner, uniform and clean cuts are possible also in materials of different compositions.

Changing Saw Blades

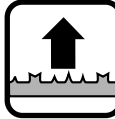


For protection against injury from the sharp cutting edges, wear protective gloves when mounting as well as when checking the saw blades.

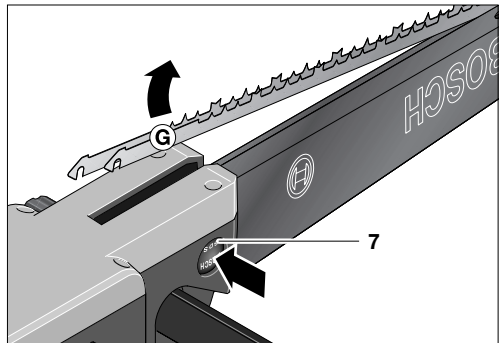
Place the machine on the loop handle.

Spread the channel for dust extraction **6** at the catches **8** and remove to the rear.

Note: The saw blades (engaging pins) stop at a different position each time the machine comes to a standstill. The illustrations show an arbitrary position.

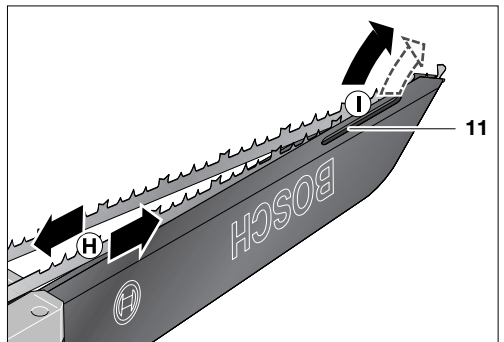


Removing the Saw Blades



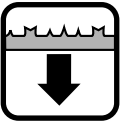
Press the SDS release button **7**. This unlocks the saw blades.

Swing both saw blades upward at the same time and out of the engaging pins **G**.



Slide the saw blades apart **H** and, **one after the other**, pull out of the saw blades guide **11** **I**.

When attempting to remove at the same time, the noses of the saw blades block each other.



Inserting the Saw Blades

Refer to the illustration on the fold-out page. (A + B)

Recommendation: Always insert the saw blade first whose engaging pin is the **farthest back** in the machine (in the direction of the motor).

The lettering on the saw blade must always be on the outside and agree with the colour of the engaging pin.

Press the SDS release button **7**. This causes the locking pin **16** to move back and the saw blades can be hooked in.

Hook the saw blade onto the engaging pin **17**.

(Fig. **A**)

Swing the saw blade into the sword **1** and latch into the saw blade guide **11**.

Hook the second saw blade onto the engaging pin **18**.

(Fig. **B**)

Swing the saw blade into the sword and release the SDS button.

From above, press on the saw blade until the nose of the saw blade latches into the saw blade guide **11**.

Check the saw blades for firm seating!

Working Instructions

During pauses in the work, when not in use or during work on the machine itself (e.g., changing of the working tools, repairs, cleaning, adjustment), pull the mains plug.

Use only sharp, flawless saw blades. Replace immediately cracked, bent or dull saw blades.

Select the saw blades according to the material to be worked:

- Hard metal saw blades for light building materials;
- Never use saw blades for wood/plastic for light building materials.

For the sawing of light building material, the legal regulations and recommendations of the material manufacturer are to be observed.

Working with material containing asbestos is not permitted.

Clamp the material firmly. Under no circumstances should the work piece be held with the hand or foot. With the saw running, do not come into contact with objects or the ground (danger of kick-back)!

The cutting path must be free of obstacles both above and below.

When working with the machine, always hold it firmly with both hands and provide for a secure stance.

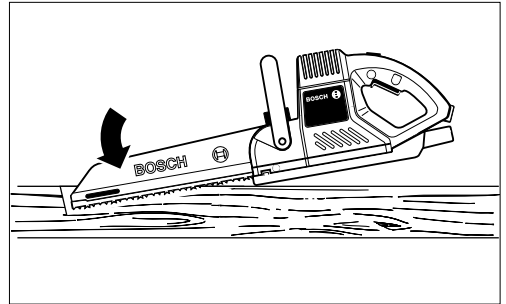
In case the saw blades become jammed in the work-piece, switch off the machine and open the sawing cut with a wooden wedge. Then pull out the saw.

When the cut is completed, switch off the machine and then pull the saw blade out of the cut only after it has come to a standstill (danger of kick-back).

After switching off, do not brake the saw blade to a stop by applying side pressure.

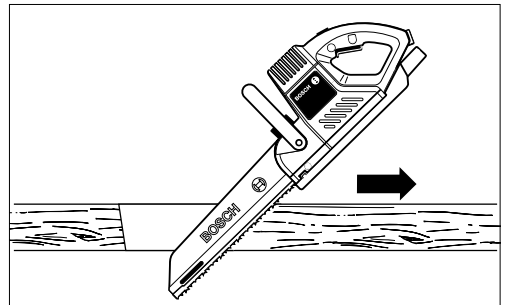
Do not use the sword to pry apart sawed off wood pieces, etc.

Plunge Sawing



For soft materials such as wood or light building materials, the saw blade can be plunged with careful sawing into the material.

Place the machine on the workpiece and switch on. Apply downward pressure until the workpiece is sawed through.



Lift the machine and continue to saw along the cutting line. Switch off the machine and remove from the workpiece.

Maintenance and Cleaning

Before any work on the machine itself, pull the mains plug.

For safe and efficient working, always keep the machine and the ventilation slots clean.

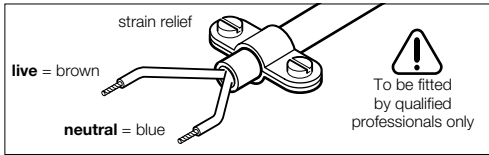
Clean the sword and the saw blades after finishing the work. The saw blades slide on wear-free, hard metal guides and should not be lubricated to ensure optimum dust extraction.

Replace cracked, bent or dull saw blades.

WARNING

Important instructions for connecting a new 3-pin plug to the 2-wire cable.

The wires in the cable are coloured according to the following code:



Do **not** connect the blue or brown wire to the earth terminal of the plug.

Important: If the plug on the cable of this machine must be replaced, dispose of the old plug to prevent misuse.

If the machine should fail despite the care taken in manufacture and testing, repair should be carried out by an authorised customer services agent for Bosch power tools.

For all correspondence and spare parts orders, always include the 10-digit order number of the machine.

Guarantee

We guarantee Bosch products in accordance with statutory/country-specific regulations (proof of purchase by invoice or delivery note).

Damage attributable to normal wear and tear, overload or improper handling will be excluded from the guarantee.

In case of a claim, please send the machine, **completely assembled**, to your dealer or the Bosch Service Centre for pneumatic tools or power tools.

Environmental Protection



Recycle raw materials instead of disposing as waste.

Machine, accessories and packaging should be sorted for environment-friendly recycling.

These instructions are printed on recycled paper manufactured without chlorine.

The plastic components are labelled for categorized recycling.

Service

Great Britain

Robert Bosch Ltd. (B.S.C.)
P.O. Box 98
Broadwater Park
North Orbital Road
Denham-Uxbridge
GB-Middlesex UB 9 5HJ

☎ Service (0 18 95) 83 87 82
☎ Advice line. (0 18 95) 83 87 91
Fax (0 18 95) 83 87 89

Ireland

Beaver Distribution Ltd.
Greenhills Road
IRL-Tallaght-Dublin 24

☎ Service (01) 4 51 52 11
Fax (01) 4 51 71 27

Australia

Robert Bosch Australia L.t.d.
RBAU/SBT2
1555 Centre Road
P.O. Box 66 Clayton
AUS-3168 Clayton/Victoria

☎ 1 800 804 777
Fax 1 800 819 520

New Zealand

Robert Bosch Limited
14-16 Constellation Drive
Mairangi Bay
Auckland
New Zealand

☎ (09) 47 86 158
Fax (09) 47 82 914

CE Declaration of conformity

We declare under our sole responsibility that this product is in conformity with the following standards or standardization documents:

EN 50 144 according to the provisions of the directives 89/336/EEC, 98/37/EC.

Dr. Gerhard Felten

Dr. Eckerhard Strötgen

ppa. Felten i.v. Strötgen

Robert Bosch GmbH, Geschäftsbereich Elektrowerkzeuge

Specification subject to alteration without notice